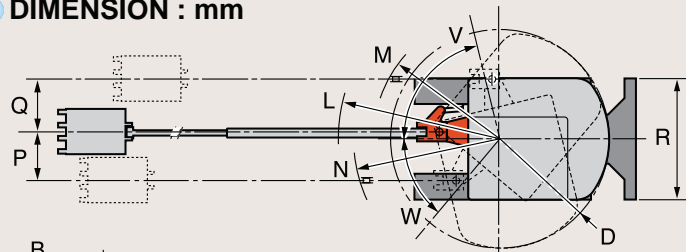


TB175

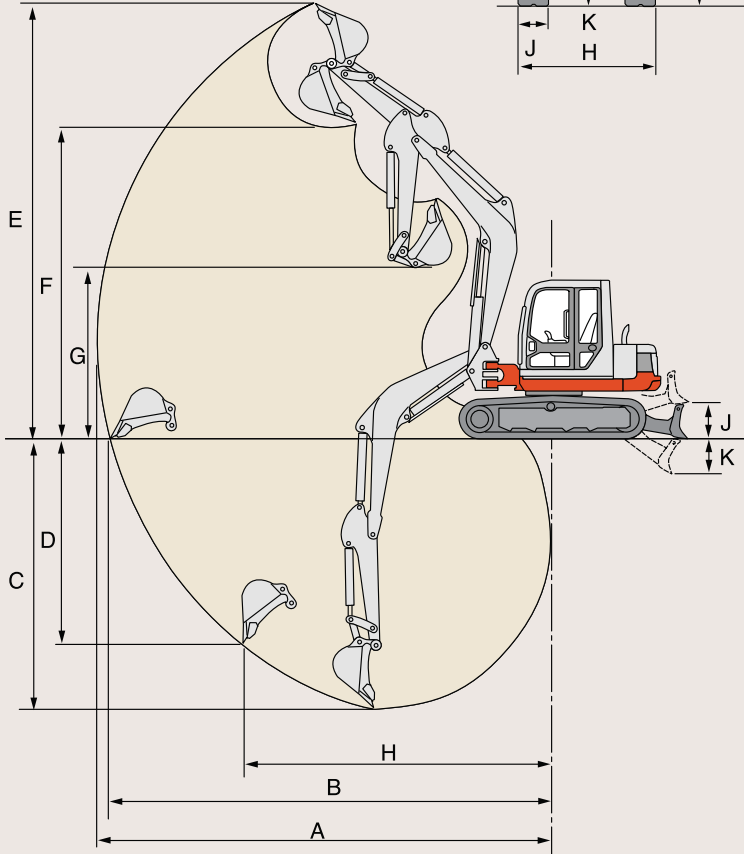
● DIMENSION : mm



A	6555
B	2245
C	2570
D	1720
E	785
F	2210
G	2855
H	2150
J	450
K	385
L	2180
M	1635
N	2060
P	695
Q	735
R	2150
S	500
T	4840
U	2000
V	80°
W	50°

Units:mm

● OPERATING RANGE : mm



Item	Standard Arm		Long arm
	Rubber Crawlers	Steel Crawlers	Rubber Crawlers
A Max.digging radius	7055	←	7385
B Max.floor digging radius	6905	6910	7245
C Max.digging depth	4240	4260	4590
D Max.vertical digging depth	3475	3500	3830
E Max.digging height	7025	7005	7290
F Max.dumping height	4995	4970	5255
G Min.dumping height	1935	1915	1630
H Max.vertical digging radius	4630	←	4700
J Max.raising height	525	505	←
K Max.lowering depth	410	435	←

Item	Telescopic Arm	
	Fully Retracted Arm	Fully Extended Arm
A Max.digging radius	7065	8125
B Max.ground digging radius	6915	7995
C Max.digging depth	4245	5445
D Max.vertical digging depth	3155	4365
E Max.digging height	7025	7715
F Max.dumping height	5005	5695
G Min.dumping height	1935	←
H Max.vertical digging radius	5075	5235

● SPECIFICATIONS TB175 (Cab, Rubber Tracked, Breaker Pippings Standard, Fops Cabin)(Steel Tracked: Option)

Weight		Rear Slew Radius	1720	OPERATING RANGE : mm					
Machine Weight	kg	Min. ground Clearance	385	Max. Dig. Depth	4240 (4260)				
Bucket		PERFORMANCE			Max. Vertical Dig Depth	3475 (3500)			
Bucket Capa.	m ³	Traction speed	km/h	2.9 / 5.5	Max. Dump Height	4995 (4970)			
Bucket Width	mm	Upper Slew Speed	min ⁻¹	10.7	Max. Dig Height	7025 (7005)			
Diesel Engine (Water-Cooled)		Gradeability	deg	30°	Max. Dig Radius	7055			
Model	4TNV98	Max Dig Power Bucket	kN	52.7	Max. Floor Dig. Radius	6905 (6910)			
Type	4CYL. 4CYCL	Max Dig Power Arm	kN	36.7	Min. Slew Radius	1635			
Rated Output	kW	Ground Press	kPa	32.9	Max. Bucket Offset RH/LH	735 / 695			
Max. Torque	Nm	DOZER BLADE : mm			HYDRAULIC SYSTEM				
Displacement	ml	Width x Height	2150 x 500	Pump type			Variable (P1+P2)+ Gear(P3+P4)		
Cool Water Capa.	lit	Operating Range up/down	525 / 410	Set Press			27.5 x 2 + 24.5 + 3.4		
Lub. Oil Capa	lit	OFF-SET DIG FUNCTION			Discharge(LPM)		l/min	69.3 x 2 + 53.1+10.7	
Fuel Tank Capa	lit	Type	Boom Swing	Breaker & service Port			l/min	69.3	
OVERALL DIMENSION : mm		Swing Angle	RH / LH	50°/ 80°	Slew Motor			Axial Piston	
Length (in transport)	6555	TRACTION SYSTEM : mm			Traction Motor			Axial Piston	
Width	2150	Crawler (Track)	Rubber / Steel			Hydraulic Tank Capa		lit	68
Height	2570	Track Width : RT (ST)	450 (450)						



WORLD CREATOR OF COMPACT EXCAVATOR

TAKEUCHI MFG.CO.,LTD.

205-3,Uwadaira,Sakaki-machi,Hanishina-gun,

Nagano 389-0605,Japan

Phone (81)268-81-1112

Telefax (81)268-81-1121

URL <http://www.takeuchi-mfg.co.jp>

E-mail:marketing@takeuchi-mfg.co.jp

