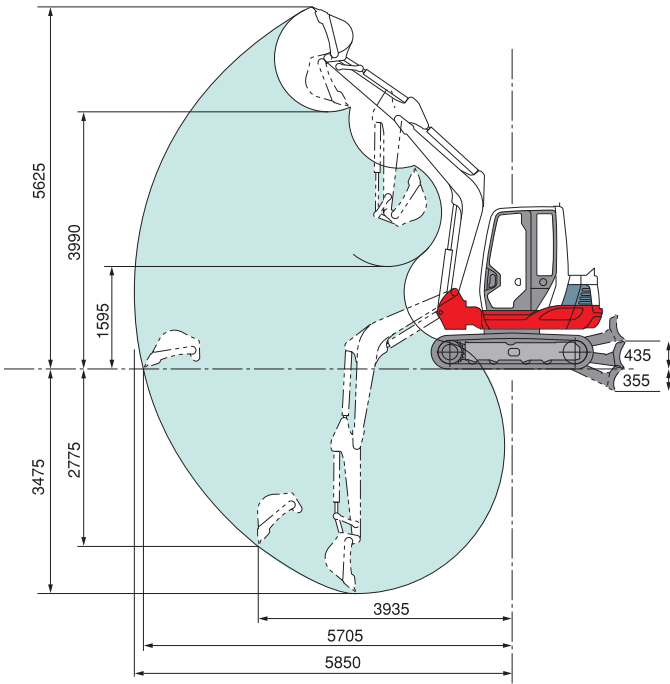
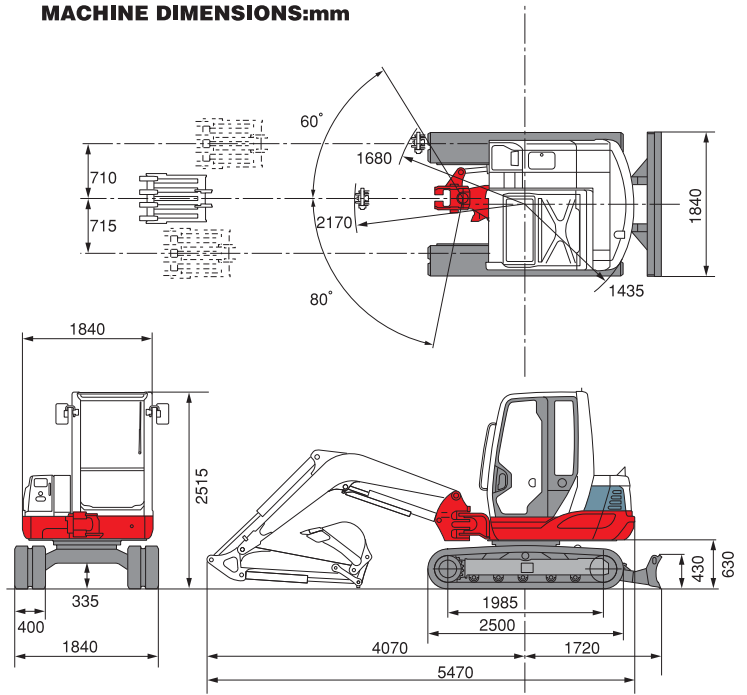


# TAKEUCHI FULL HYDRAULIC COMPACT EXCAVATOR **TB250**

## OPERATING RANGES:mm



## MACHINE DIMENSIONS:mm



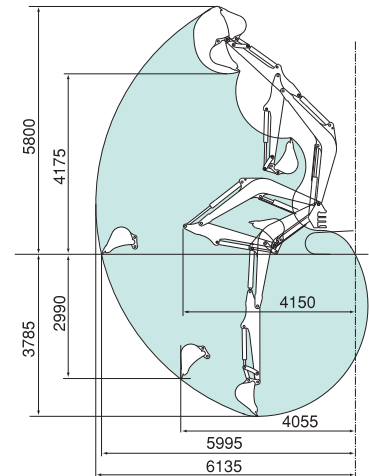
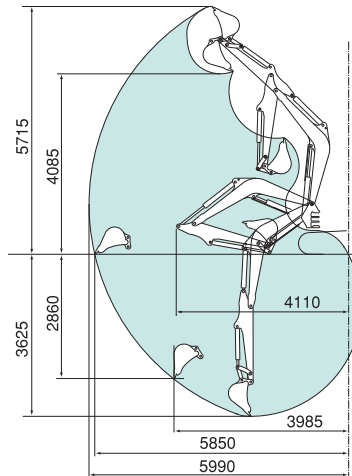
## MIDDLE ARM

## LONG ARM



# TB250

**FULL HYDRAULIC COMPACT EXCAVATOR**



## SPECIFICATIONS TB250 ( Cab, Rubber Tracked, Standard Arm, Breaker Piping Standard)

Weight		Fuel Tank L		73		HYDRAULIC SYSTEM	
Machine Weight	kg	Canopy	Cabin	Electric System	12V/40A	Pump type	Variable x 2 + Gear x 2
		4750	4890	PERFORMANCE			
Bucket		Traction Speed km/h		2.8 / 5.2		Set Pressure	MPa 21.0 x 2 + 19.6 x 1 + 3.4 x 1
Bucket Capacity (Heaped)	m <sup>3</sup>	0.141 (Heaped)		Upper Slew Speed	min <sup>-1</sup> 9.8	Discharge	L/min 58.3 x 2 + 38.9 x 1 + 10.8 x 1
Bucket Width	mm	640		Gradeability	degrees 30°	Slew Motor	Piston Motor
Diesel Engine (Water-Cooled)		Max Dig power Bucket kN		37.2		Traction Motor	2-Speed Piston Motor
Model	4TNV88	Max Dig power Arm kN		SSA: 25.9 MSA: 24.3 LSA: 22.9		Hydraulic Oil Capacity	52 (Level) / 88 (System)
Cylinders / Type	4/4CYCL	Ground Pressure kPa		Canopy	27.3	SAFETY	
Rated Power	kW 28.4/2,400 min <sup>-1</sup>	Cabin		28.1		ROPS / FOPS (CABIN / CANOPY)	
Maximum Torque	N·m 131.8-143.4	OFF-SET DIG FUNCTION		Option & Equipments			
Displacement	mL 2185	Type		Boom Swing			
Engine Coolant	L 12.4	TRACTION SYSTEM : mm		Rubber / Steel			
Engine Oil	L 7.4	Type		Rubber / Steel			
		ROPS / FOPS (CABIN / CANOPY)		ROPS / FOPS			
		Service Port 1 L/min/MPa		58.3 / 20.6			
		Service Port 2 L/min/MPa		38.9 / 19.6 (Option)			
		Service Port 3 L/min/MPa		10.8 / 3.4 (Option)			

# TAKEUCHI

WORLD CREATOR OF COMPACT EXCAVATOR  
**TAKEUCHI MFG.CO.,LTD.**  
 205, Uwadaira,Sakaki-machi, Hanisina-gun,  
 Nagano 389-0605,Japan  
 Phone (81)268-81-1112  
 Telefax (81)268-81-1121  
 URL <http://www.takeuchi-mfg.co.jp>  
 E-mail:marketing@takeuchi-mfg.co.jp